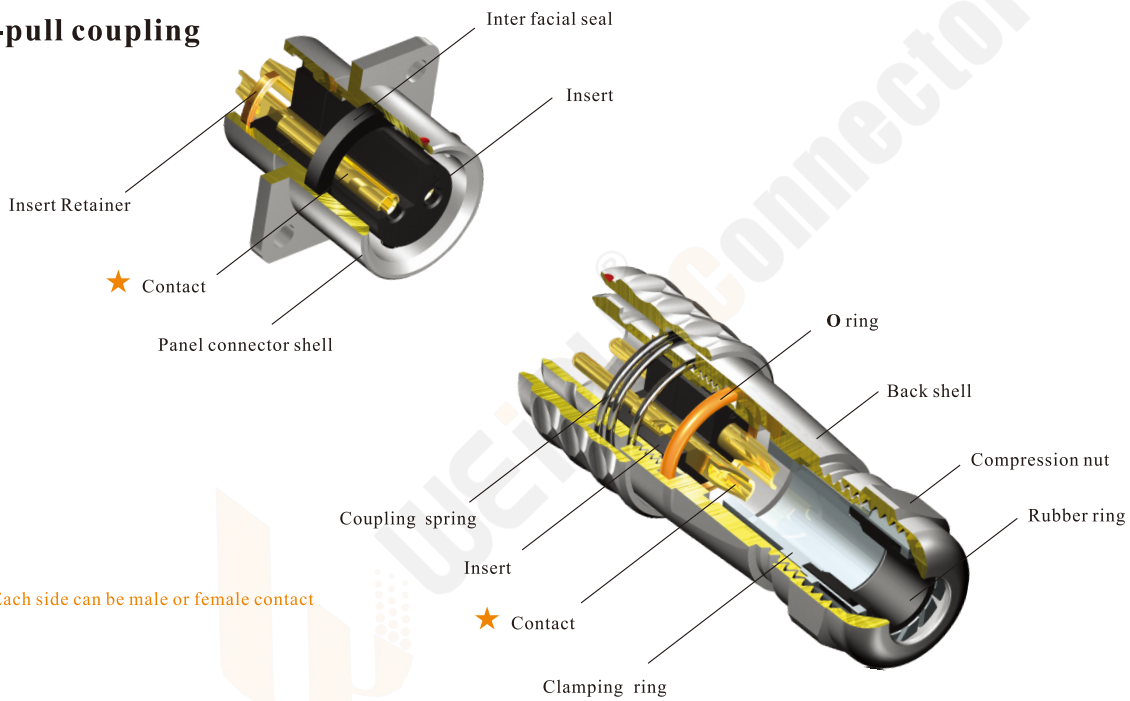


IP67

02



- SF Series IP67
- Push-pull coupling



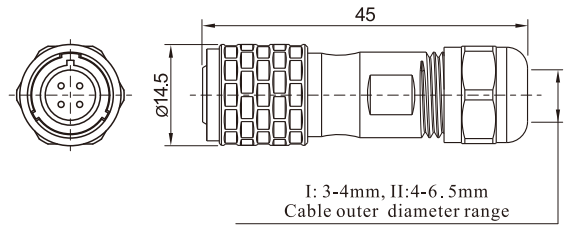
Material and spec

Coupling	Push-pull
Shell material	Brass with chrome plating
Insert material	PPS max temperature 260 °C
Contact material	Brass with gold plating
Termination	Solder: SF6, SF8, SF10, SF12, SF16, SF20 Crimp: SF16, SF20 Screw: SF20 (Ø2.5mm contact)
Cable outer diameter range	SF6: I: 2-3mm, II: 3-4mm SF12: I: 4-6.5mm, II: 5-8mm SF8: I: 3-4mm, II: 4-5mm SF16: I: 5-8mm, II: 8-12mm SF10: I: 3-4mm, II: 4-6.5mm SF20: I: 5-9mm, II: 8-12mm
IP rating	IP67
Mating cycle	500
Temperature range	-40°C ~ +85°C
Insulation resistance	2000MΩ

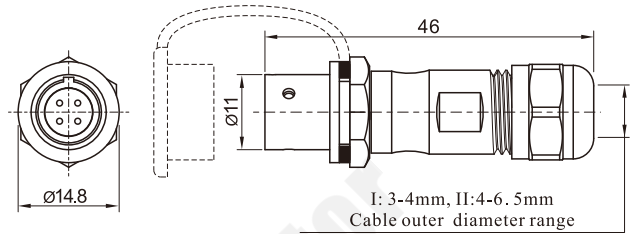
SF10 Series



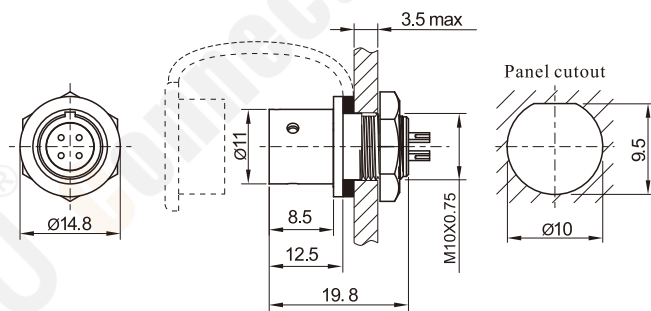
Cable connector
Mate with SF1011, SF1012,
SF1015



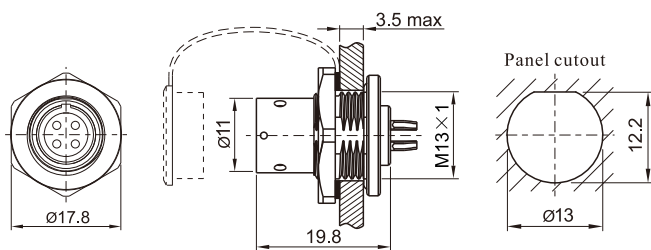
In-line cable connector
Mate with SF1010



Rear-nut mount
Mate with SF1010



Front-nut mount
Mate with SF1010



Solder contact spec

Number of contact	2	3	4	5
Male contact face view				
Rated current (A)	5	5	3	3
Contact diameter(mm)	Ø1×2	Ø1×3	Ø0.7×4	Ø0.7×5
Rated voltage (AC.V)	180	180	125	125
Test voltage(AC.V) 1 min	1000	1000	1000	1000
Contact resistance(mΩ)	5	5	10	10
Wire size(mm²/AWG)	≤0.75/18	≤0.75/18	≤0.5/20	≤0.5/20