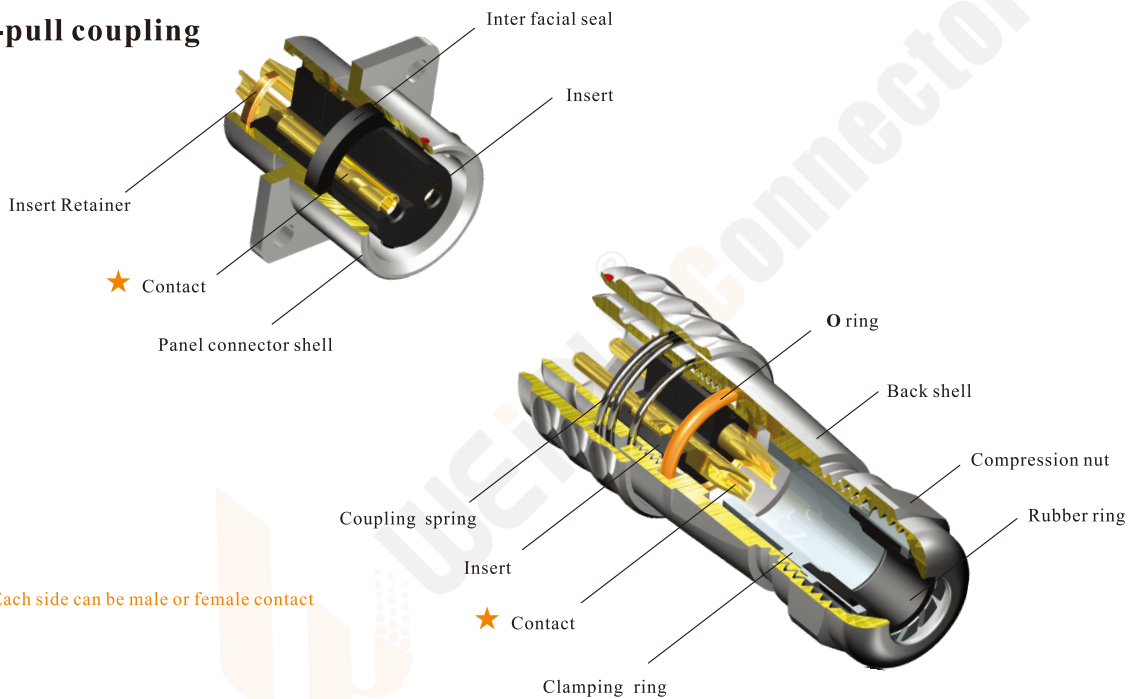


IP67

02



- SF Series IP67
- Push-pull coupling



**Material and spec**

Coupling	Push-pull
Shell material	Brass with chrome plating
Insert material	PPS max temperature 260 °C
Contact material	Brass with gold plating
Termination	Solder: SF6, SF8, SF10, SF12, SF16, SF20 Crimp: SF16, SF20 Screw: SF20 (Ø2.5mm contact)
Cable outer diameter range	SF6: I: 2-3mm, II: 3-4mm      SF12: I: 4-6.5mm, II: 5-8mm SF8: I: 3-4mm, II: 4-5mm      SF16: I: 5-8mm, II: 8-12mm SF10: I: 3-4mm, II: 4-6.5mm      SF20: I: 5-9mm, II: 8-12mm
IP rating	IP67
Mating cycle	500
Temperature range	-40°C ~ +85°C
Insulation resistance	2000MΩ

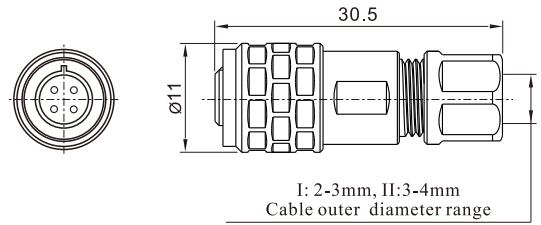
SF6 Series



Cable connector  
Mate with SF611B, SF612B,  
SF615B

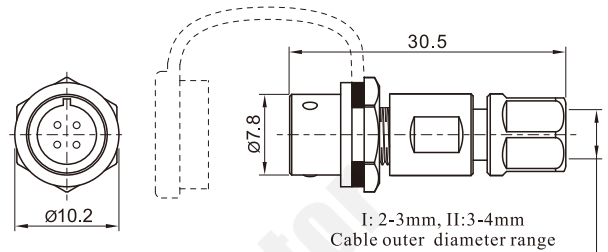
SF610B/P — Male contact  
SF610B/S — Female contact

Cable outer diameter range  
I: 2-3mm, II:3-4mm  
Number of contact  
Female contact



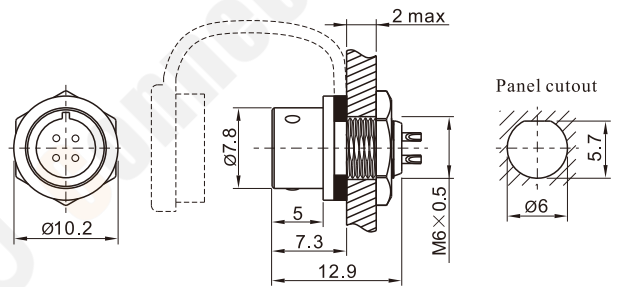
In-line cable connector  
Mate with SF610B

SF611B/P — Male contact  
SF611B/S — Female contact



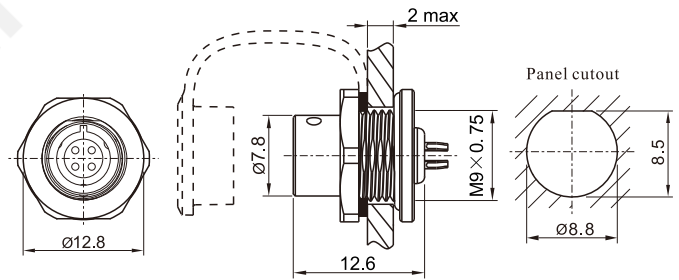
Rear-nut mount  
Mate with SF610B

SF612B/P — Male contact  
SF612B/S — Female contact



Front-nut mount  
Mate with SF610B

SF615B/P — Male contact  
SF615B/S — Female contact



Solder contact spec

Number of contact	2	3	4	5
Male contact face view				
Rated current (A)	3	3	3	3
Contact diameter(mm)	Ø0.6×2	Ø0.6×3	Ø0.6×4	Ø0.6×5
Rated voltage (AC.V)	30	30	30	30
Test voltage(AC.V) 1 min	500	500	500	500
Contact resistance (mΩ)	10	10	10	10
Wire size (mm <sup>2</sup> /AWG)	≤0.5/20	≤0.5/20	≤0.5/20	≤0.5/20